

C7250 Mixed Air Sensor

INSTALLATION INSTRUCTIONS



PRODUCT DESCRIPTION

The C7250 Mixed Air sensor is designed for use as a 20k input to a controller for mixed air temperature in rooftop packaged air conditioning equipment.

A separate controller such as the JADE™ Economizer System (Model W7220) provides power and communications for the C7250 Mixed Air sensor.

SPECIFICATIONS

Electrical

Output Rating: 20K ohms at 77 °F (25 °C)

Wiring: 2-wire (18 to 22 AWG)

Environmental

Operating Temperature range: -40 to 150 °F (-40 to 65 °C)

Storage Temperature range: -40 to 150 °F (-40 to 65 °C)

Shipping Temperature range: -40 to 150 °F (-40 to 65 °C)

Temperature, C7250:

Temperature sensing range: 0 to 150 °F (18 to 65 °C)

Dimensions (See Fig. 1):

Height: 0.8 inches (20.5 mm)

Width: 2.17 inches (55 mm)

Length: 4.25 inches (108 mm)

Weight: 0.58 lb. (0.265 kg)

Listing Agency Approvals:

EN61000-6-3, EN61000-3-2, EN61000-3-3, EN61000-6-1;

EN60730-1 Annex H.23 (emissions)

Annex H.26 (immunity)

CE Mark FOR EU

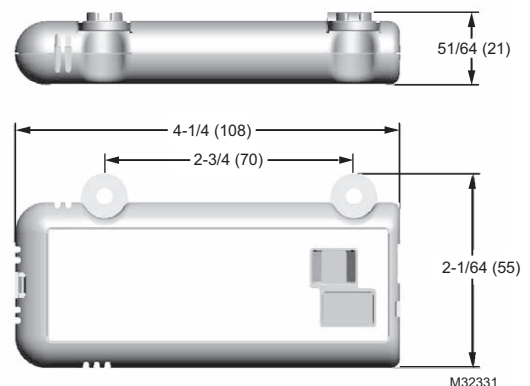


Fig. 1. Dimensions in inches and (mm) showing mounting holes.



BEFORE INSTALLATION

Review the “Specifications” on page 1 before installing the sensor.

When Installing This Product

1. Read these instructions carefully. Failure to follow them could damage the product or cause a hazardous condition.
2. Check ratings given in instructions and on the product to ensure the product is suitable for your application.
3. Installer must be a trained, experienced service technician.

INSTALLATION AND SETUP

The following installation procedures should be performed in the order listed:

1. Mounting — see “Mounting” on this page.
2. Wiring — see “Wiring” on page 3.
3. Checkout — see “Checkout” on page 3.

MOUNTING

IMPORTANT

Avoid mounting in areas where acid fumes or other deteriorating vapors can attack the metal parts of the sensor, or in areas where escaping gas or other explosive vapors are present.

IMPORTANT

The sensor must be mounted in a position that allows clearance for wiring, servicing, and removal.

The sensor is mounted directly to the sheet metal using self tapping sheet metal screws or in the air stream using the duct mounting kit. Use #6 or #8 screws (screws are not provided and must be obtained separately). Use the dimensions in Fig. 1 on page 1 as a guide.

The sensor must be mounted to allow air flow through the sensor housing vent slots on the end or side.

Sensor Mounting

The sensor can be mounted directly on to the sheet metal of the unit or can be mounted in the air stream using the duct mounting kit.

The duct mounting kit contains a rod to hold the sensor in the duct, a flange to secure the sensor rod to the duct wall and to fill the hole, and a gasket to prevent air from leaking through the duct wall. See Fig. 2.

The rod has slots for threading the wire to prevent loose or hanging wire in the duct and can be adjusted for 6 or 12 inch length. The flange has extended relief for ease of mounting. See Fig. 3.

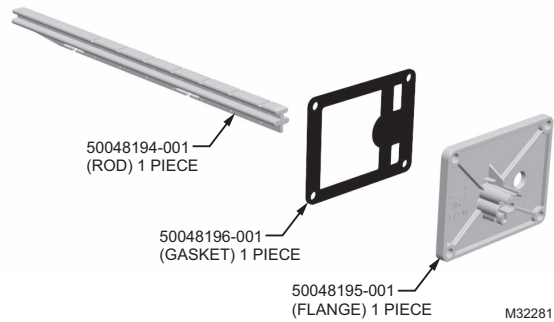


Fig. 2. Duct Mounting Components.

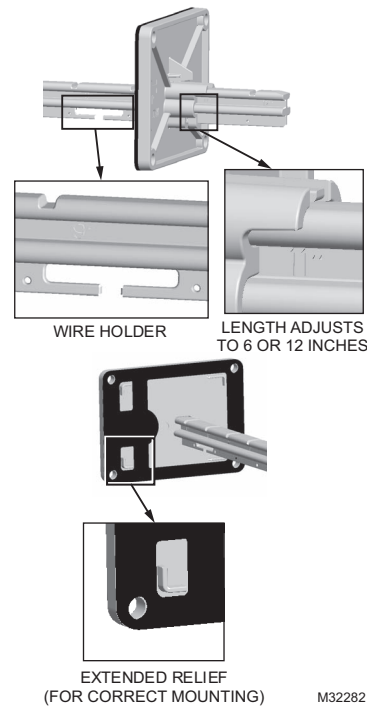


Fig. 3. Duct Mounting Adjustments.

WIRING

All wiring must comply with applicable electrical codes and ordinances, or as specified on installation wiring diagrams.

WARNING

Electrical Shock Hazard.

Can cause severe injury, death or property damage.

Disconnect power supply before beginning wiring, or making wiring connections, to prevent electrical shock or equipment damage.

CAUTION

Equipment Damage Hazard.

Electrostatic discharge can short equipment circuitry.

Ensure that you are properly grounded before handling the sensor.

Prepare wiring as follows:

1. Strip 1/2 in. (13 mm) insulation from the conductor.
2. Cut a single wire to 3/16 in. (5 mm). Insert the wire in the required terminal location and tighten the screw.
3. Pull on each wire in all terminals to check for good mechanical connection.

CHECKOUT

Refer to the *JADE™ Economizer Module (Model W7220)* Installation Instructions (Honeywell form 62-0331).

TROUBLESHOOTING

Refer to the *JADE™ Economizer Module (Model W7220)* Installation Instructions (Honeywell form 62-0331).

C7250 MIXED AIR SENSOR

JADE™ is a trademark of Honeywell, Inc.

Automation and Control Solutions

Honeywell International Inc.
1985 Douglas Drive North
Golden Valley, MN 55422

Honeywell Limited-Honeywell Limitée
35 Dynamic Drive
Toronto, Ontario M1V 4Z9
customer.honeywell.com

© U.S. Registered Trademark
© 2010 Honeywell International Inc.
62-0335—01 M.S. 09-10
Printed in U.S.A.

Honeywell